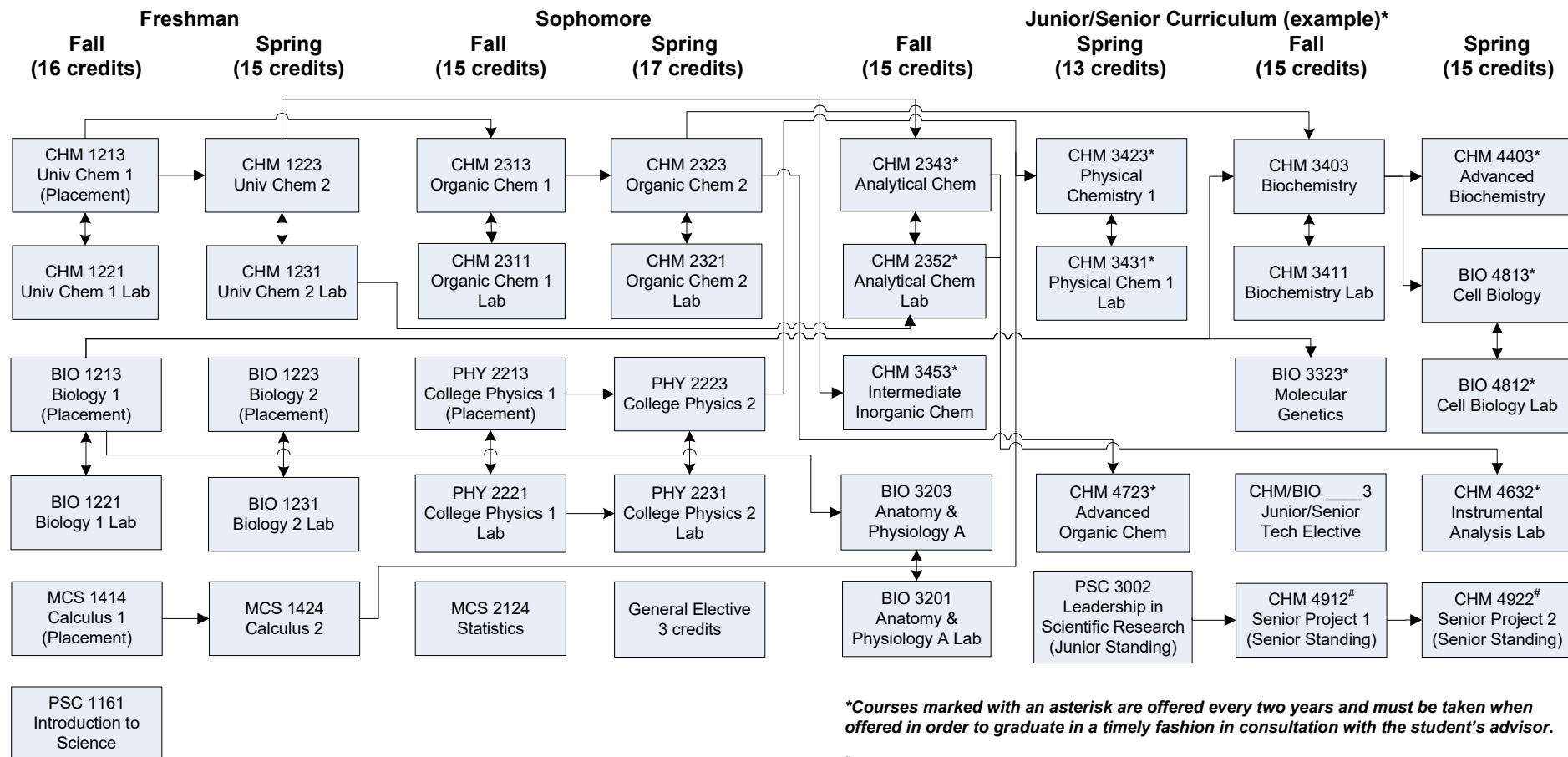
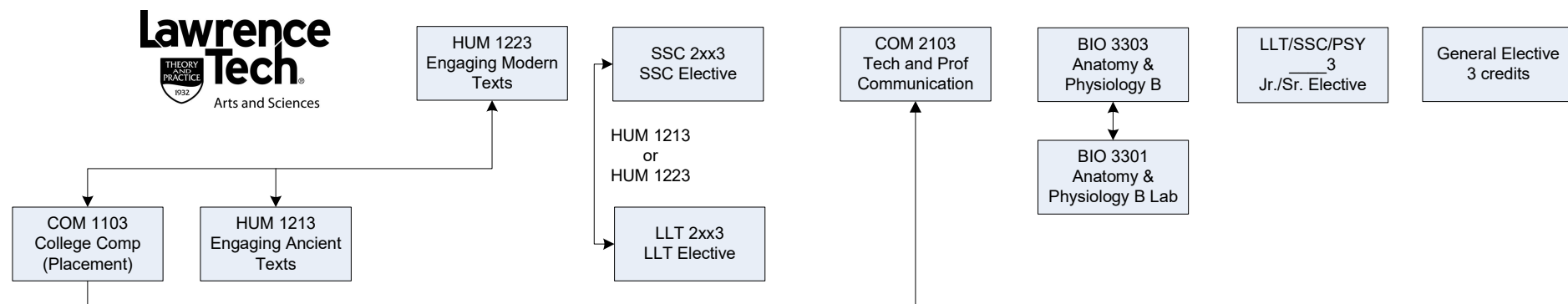


Bachelor of Science in Chemistry with a concentration in Biochemistry and Chemical Biology (121 credits)



**Courses marked with an asterisk are offered every two years and must be taken when offered in order to graduate in a timely fashion in consultation with the student's advisor.*

#Any interdepartmental senior project coursework must be approved by a Natural Sciences advisor and department chair.



→ Leftmost course is prerequisite

↔ One course is corequisite to the other

(Placement): Entry requires passing score on a placement exam

Revised April 2026